

## Dear Customer,

Thank you for choosing the dual-cure version of the proven core build-up material LuxaCore! This material allows you to determine the setting time yourself by light curing LuxaCore-Dual. This means that time requirements can be considerably shortened as compared to the conventional LuxaCore. LuxaCore-Dual is available in a natural shade (A3) and a blue shade.

## INDICATION

Core build-ups.

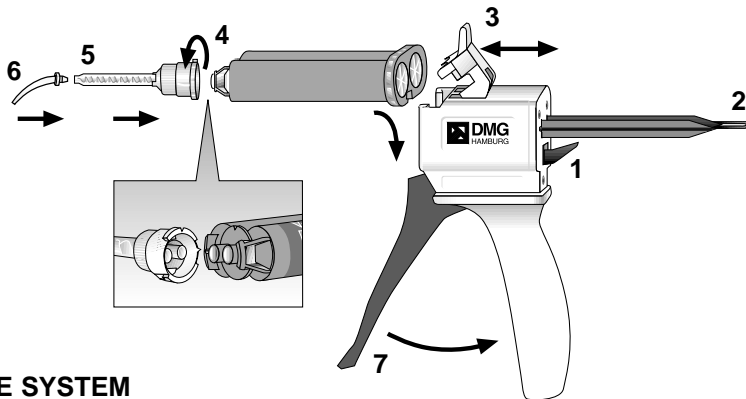
Fulfills the requirements of ISO 4049:2000, type 2, class 3.

## ADVANTAGES

- Automatic mixing - provides a consistent, homogeneous mix
- Intraoral-Tips - allow for more precise, direct application
- Cuts like dentin
- Fluoride release - helps prevent secondary caries
- Dual curing - material can be light cured, additional chemical cure assures that the material can be bulk filled, saving time consuming layering
- Radiopaque

## PREPARATION

1. Isolate the tooth to be prepared. We recommend the use of a rubber dam.
2. Remove all existing restorations and decay from the tooth.
3. Acid etch the entire preparation for 20 seconds using 37% phosphoric acid. We recommend the use of DMG's Ecusit-Etch or Superlux-Thixo Etch.
4. Thoroughly rinse the tooth with a water spray and lightly air dry. Do not desiccate the prepared tooth.
5. Place a hydrophilic primer followed by a bonding agent as directed by the manufacturer. We recommend the use of DMG's Ecusit-Primer/Mono. The use of One-Bottle-Bonding systems is contra-indicated.
6. Select the desired shade of LuxaCore-Dual and place the appropriate cartridge into the applicator gun (see CARTRIDGE SYSTEM).



## CARTRIDGE SYSTEM

1. Push up the small lever (1) in back of the Applicator Gun and completely retract slide (2).
2. Lift plastic lever (3) on top of gun and insert cartridge. Note that notch on bottom of cartridge aligns with the notch on the Applicator Gun. Push down firmly on lever (3) to lock in cartridge.
3. Before attaching a mixing cannula, remove cartridge cap (4) by turning 90° counter clockwise, pull and remove it. Leave an used cannula on the cartridge. It serves as a cap.
4. Insert a new mixing cannula (5). Line up the notch on the cannula with the corresponding notch on the cartridge. Turn it clockwise 90° until it locks into position. If desired, an intra-oral tip (6) may be inserted in the open end of the mixing cannula.
5. LuxaCore-Dual is dispensed through the mixing cannula by pulling the trigger (7) of the dispenser and can be applied directly.

When using a cartridge for the first time, express a “pea” size amount of material and discard.

### Removal of Cartridge

Push up lever (1) in back of the Applicator Gun and pull slide flush. Lift plastic lever (3) on the top of gun and remove cartridge.

## TIMING

<b>Working time</b>	1:30 minute
<b>Chemical Cure</b>	5:00 minutes intraoral
<b>Light Cure</b>	20 seconds (layer ≤ 2 mm) 40 seconds (layer ≤ 4 mm)

## APPLICATION

### Matrix Band

1. To facilitate placement of LuxaCore-Dual, place a matrix band around the prepared tooth.
2. Place the mixing tip directly into the preparation and squeeze the trigger of the applicator gun to express the LuxaCore-Dual paste.

### Prefabricated Crown Form

1. Place the mixing tip directly into the crown form and squeeze the trigger of the applicator gun to express the LuxaCore-Dual paste.
2. Place the loaded crown form onto the prepared tooth and hold in place until the LuxaCore-Dual is fully set.

3. LuxaCore-Dual has a 1:30 minute working time. The material may be manipulated using a usual composite instrument. A flat ended interproximal carver (IPC) is recommended. A bonding agent can be used as a separating medium to allow for easier manipulation.
4. **Chemical Cure:** With only its chemical cure (no light curing) LuxaCore-Dual has a 5 minute setting time (37 °C/98 °F). Lower temperatures, e. g. in the anterior region, lead to prolonged setting times.

**Light Cure:** The material may be light cured with usual dental halogen lamps for at least 40 seconds any time after application (4 mm max.). A thin layer (≤ 2 mm) will need only 20 seconds light cure. Remove a matrix after the material has completely set.

5. Final crown preparation on the LuxaCore-Dual is initiated using crown preparation burs.
6. If a provisional is to be made on the prepared tooth, a suitable separating agent (e.g. glycerine) has to be used.

## Please Note

- A suitable pulp/dentin protection is necessary to prevent pulp reactions.
- Contact with skin and eyes should be avoided. If accidental contact occurs, rinse immediately with plenty of water and consult a physician if necessary.
- Do not use LuxaCore-Dual with materials containing eugenol. This could inhibit the polymerization of LuxaCore-Dual and cause discoloration.
- Water and oily air must be avoided as they inhibit the polymerization of LuxaCore-Dual at the contact area.
- Placement of composites is contra-indicated if a dry field is not possible.

## TECHNICAL DATA

Working time	1:30 minute
Setting time	5:00 minutes
Compressive strength	300 MPa
Transverse strength	120 MPa
Diametral tensile strength	60 MPa
Water sorption max.	25 µg/mm <sup>3</sup>

## COMPOSITION

Barium glass (silan.) 69%, pyrog. silica (silan.) 3%  
in a Bis-GMA based matrix of dental resins.  
Total filler volume: 49 % (0.02-4 µm)

## SIDE EFFECTS

There are no known systemic side effects to date, however,

- do not use LuxaCore-Dual in cases where known allergies to the components, notably benzoyl peroxide exist.
- in some cases individual contact allergies may exist.

## STORAGE

- Do not store LuxaCore-Dual above 20 °C/68 °F.
- We recommend to store unopened material in the refrigerator.
- Do not use after expiration date.

## PACKAGING

### LuxaCore-Automix Dual - Introductory Packages:

1 cartridge @ 50 g paste, 1 Automix-Dispenser,  
35 Automix-Tips + 35 Intraoral-Tips

**Blue Shade** REF 212058

**Natural Shade (A3)** REF 212033

### LuxaCore-Automix Dual - Refills:

1 cartridge @ 50 g paste,  
35 Automix-Tips + 35 Intraoral-Tips

**Blue Shade** REF 212012

**Natural Shade (A3)** REF 212011

### Accessories:

1 Automix-Dispenser Typ 25 1:1 REF 110253

50 Automix-Tips Yellow 1:1 REF 909200

50 Intraoral-Tips Yellow REF 909201

**Exclusively Distributed in the United States and Canada by:**  
**Zenith Brands Division of Foremost Dental Mfg. Co., Inc.**  
**Telephone number: 1-800-662-6383**

Caution: Federal Law restricts this device to sale by, or on the order of a dentist, or other practitioner licensed by law of the state in which he or she practices to use or order the use of this device.

**Keep away from children! For dental use only!**